

SIM Card Datasheet

NimbeLink Corp

Updated: May 2019



© NimbeLink Corp. 2019. All rights reserved.

NimbeLink Corp. provides this documentation in support of its products for the internal use of its current and prospective customers. The publication of this document does not create any other right or license in any party to use any content contained in or referred to in this document and any modification or redistribution of this document is not permitted.

While efforts are made to ensure accuracy, typographical and other errors may exist in this document. NimbeLink reserves the right to modify or discontinue its products and to modify this and any other product documentation at any time.

All NimbeLink products are sold subject to its published Terms and Conditions, subject to any separate terms agreed with its customers. No warranty of any type is extended by publication of this documentation, including, but not limited to, implied warranties of merchantability, fitness for a particular purpose and non-infringement.

NimbeLink and Skywire are registered trademarks of NimbeLink Corp. All trademarks, service marks and similar designations referenced in this document are the property of their respective owners.

Table of Contents

Table of Contents	2
Introduction	3
Orderable Part Numbers	3
Product Overview	3
Compatible Products	3
Mechanical Drawings	4
Technical Specifications	5
Specifications	5
Product Images	6
NL-SIM-ATT-CTRI	6
NL-SIM-TMO-CTRI	6

1. Introduction

1.1 Orderable Part Numbers

5xZXxMjZ'ž ZfBZ'	5uZxMl'` AZk uZxM xZ'	ž ZyMxw{bnl`	3Z{, nxi`AtuZ'
311@2 1° AA1 A?*	1Yaoē {n`ōāācē`	* Al` A`@k MxSaxbV {`ž`' μP`' μB`' AŠ nk k ZXVbJl` AZk uZxM xZ`?M` Z`	* Al` A`
311@2 1A2 51 A?*	1Yaoē {n`ōāācē`	A12 nUqZ`@k MxSaxbV {`ž`' μP`' μB`' AŠ nk k ZXVbJl`AZk uZxM xZ`?M` Z`	A12 nUqZ`

1.2 Product Overview

4G LTE connected devices require a SIM card in order to connect to the network. The 311@2 1° AA1 A? *SMX`311@2 1A2 51 A?*_xnk` 3tk UZ1b i` MZ`° Al` A`M`X`A12 nUqZ` MluxnfZX`@2` VxY`_nx`| yZ`, k`a` 3tk UZ1b i` E`y`Vzjj| jM`XMMujM y`M`M`MjZ` M` afuy@nlink.com UZ1b i` Vnk`^a

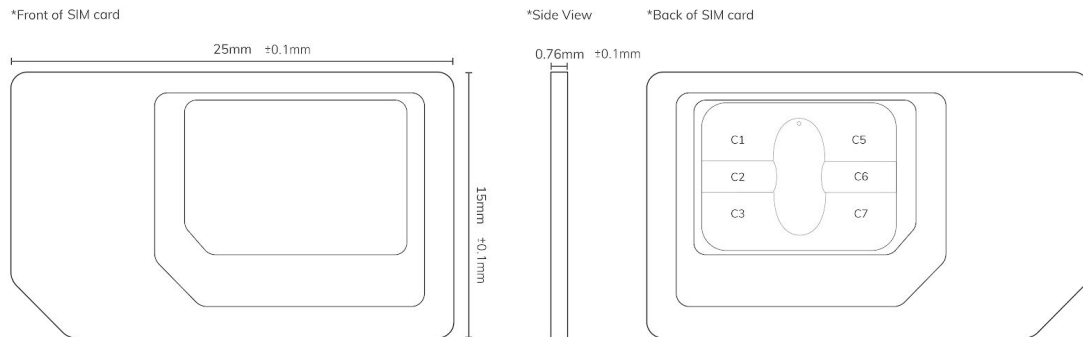
1.3 Compatible Products

The @2 y`_xnk` 3tk UZ1b i` MZ` Vnk uMlujZ`, k`a` Mj` k` Wab Z`{n`k` Wab Z`XZfBZyXZyb| ZX`{n`, nxi` nl` {aZ`xZyuzV{bZ`l` Z{, nxi` ySb` V| Xb` `l` nl` 3tk UZ1b i` k` nXZk` y`^a

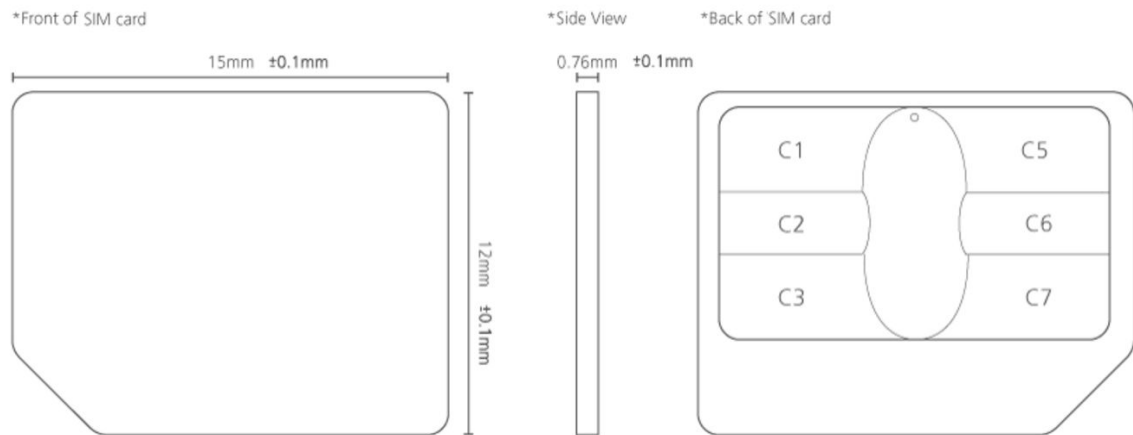
1.4 Mechanical Drawings

The SIM cards are tri-cut SIMs supporting 2FF, 3FF, or 4FF sockets.

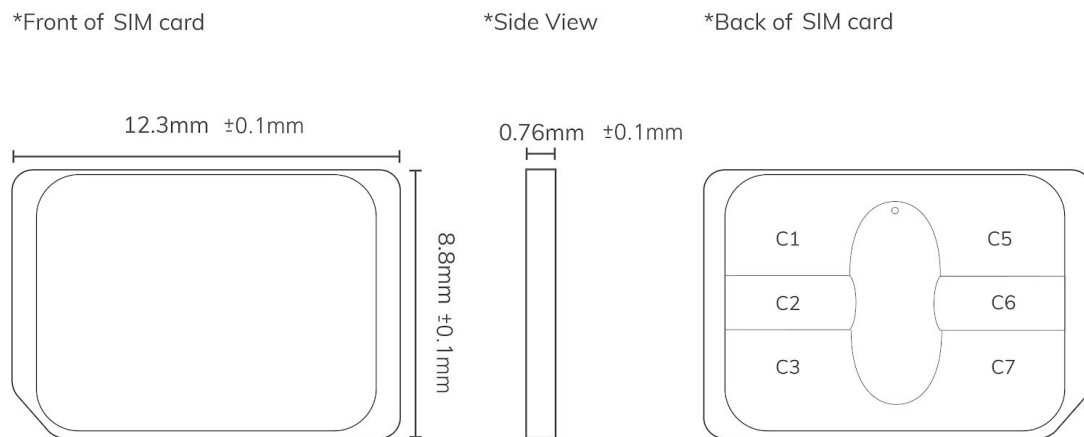
1.4.1 2FF



1.4.2 3FF



1.4.3 4FF



2. Technical Specifications

2.1 Specifications

ž ZyWbu{bnl '		GM Z'	BI ky
@ uujt'fnj{MZ'		Üªµpµà'	Gnj{y'
† yZx{bnl y'		ÝÜ'	† yZx{bnl y'
ž tk Zl ybnl y'	Ý' ''	Üà'..Ýa'..Üªáá'	k k'
	Ð' ''	ÜÝ'..Üà'..Üªáá'	k k'
	ß' ''	āªā'..ÜÝªp'..Üªáá'	k k'
H Zb a{'		üÜ'	(xNk y'

