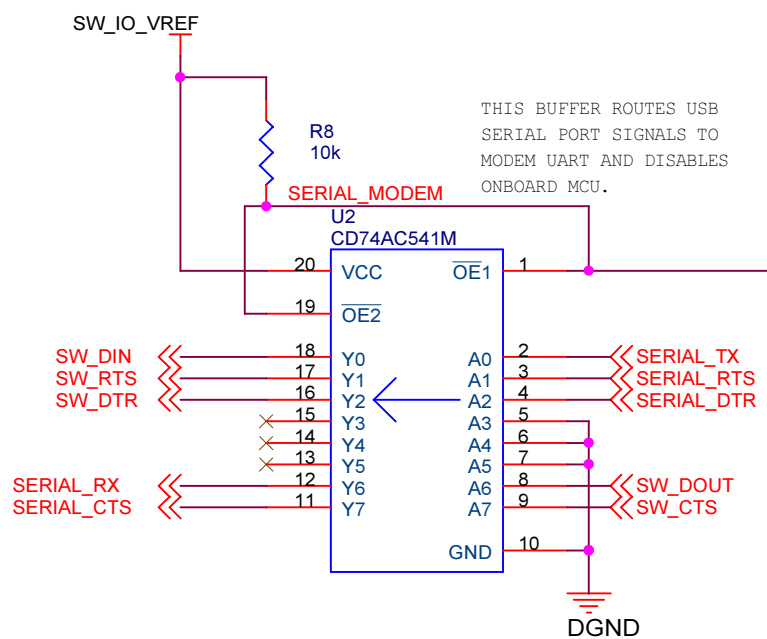
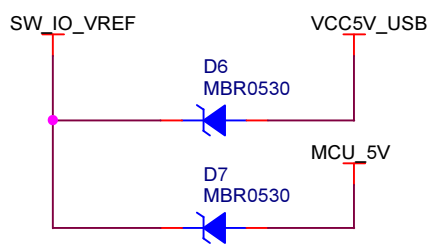


Title		
Skywire Development Kit		
Size	Document Number	Rev
A	20002	E
Date:	Tuesday, March 22, 2016	Sheet 1 of 5



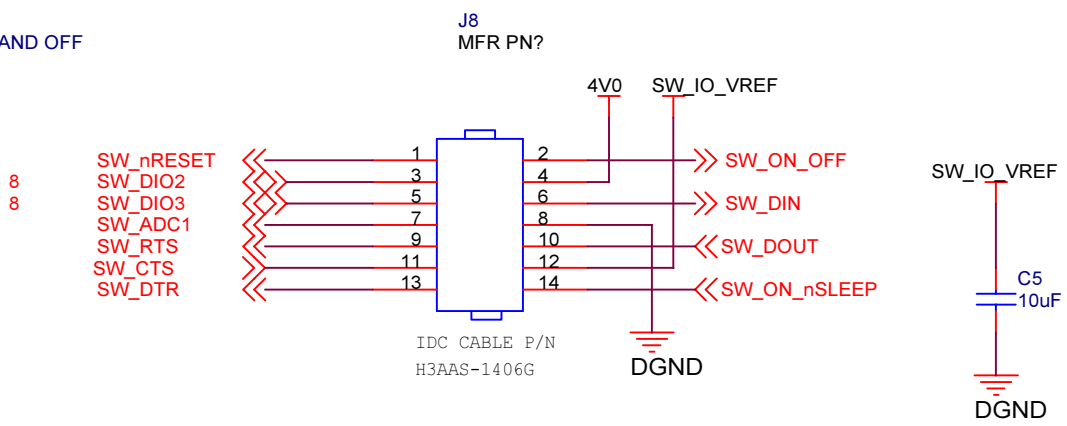
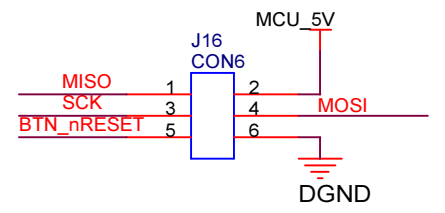
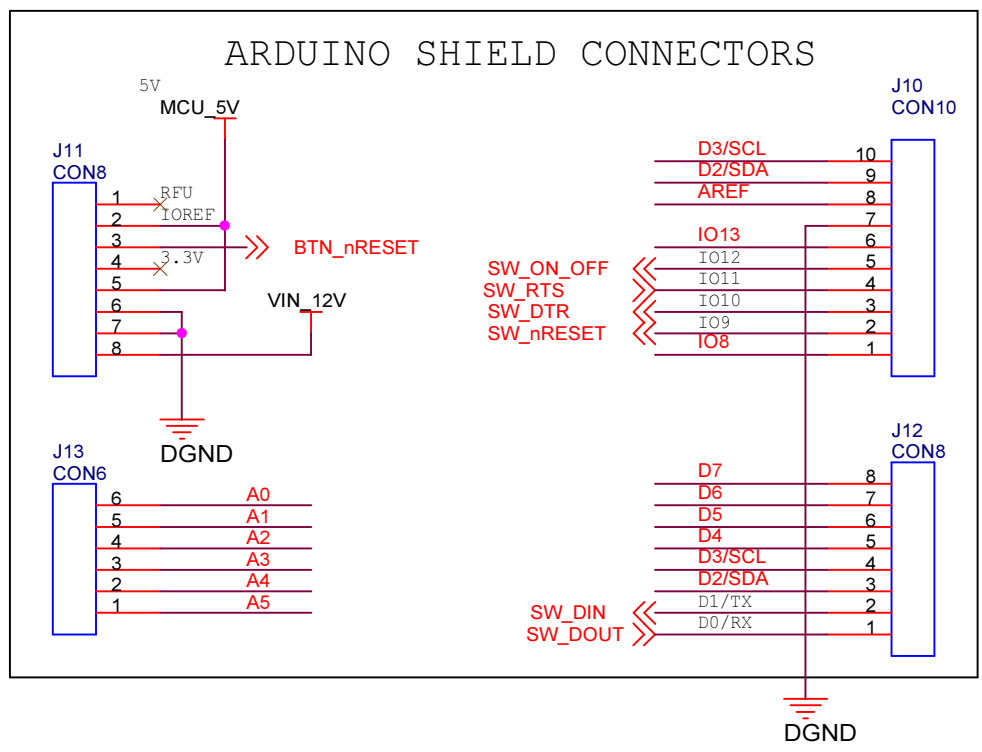
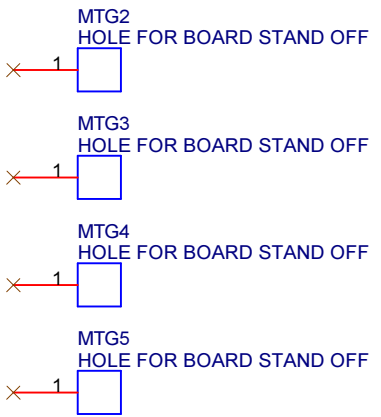
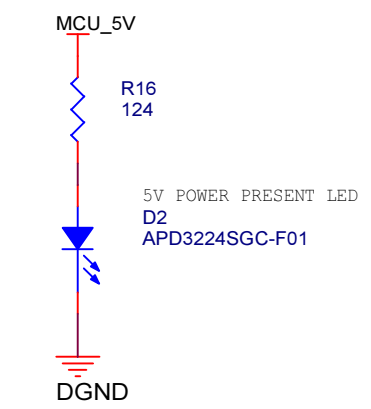
THIS BUFFER ROUTES USB SERIAL PORT SIGNALS TO MODEM UART AND DISABLES ONBOARD MCU.



THIS HEADER SELECTS BEHAVIOR OF USB SERIAL PORT, SHORTING PINS 1 & 2 TIES MODEM DIRECTLY TO SERIAL PORT, ARDIUNO AND EXTERNAL CPU ON J8 MUST NOT BE USED. LEAVING J6 JUMPER OFF ALLOWS FOR ARDUINO OR EXTERNAL CPU CONNECTION. REMOVING JUMPER FROM ALL PINS ON J6 ALLOWS EXTERNAL CPU/MCU TO BE CONNECTED DIRECTLY TO MODEM AT TTL LEVELS EITHER AS AN ARDUINO SHIELD OR GENERIC INTERFACE ON 14 PIN CONNECTOR J8.



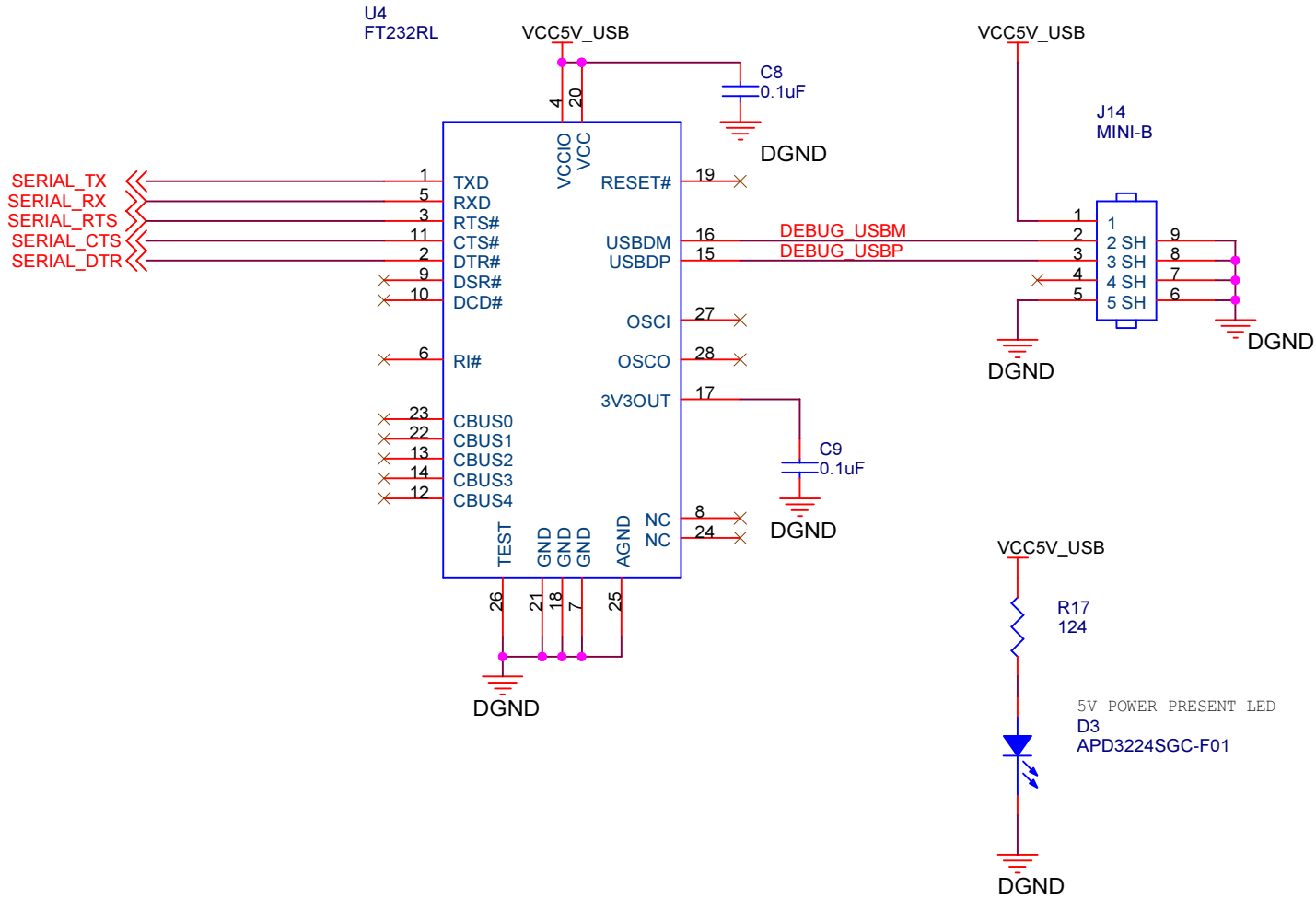
Title		
Skywire Development Kit		
Size	Document Number	Rev
A	20002	E
Date:	Tuesday, March 22, 2016	Sheet 2 of 5



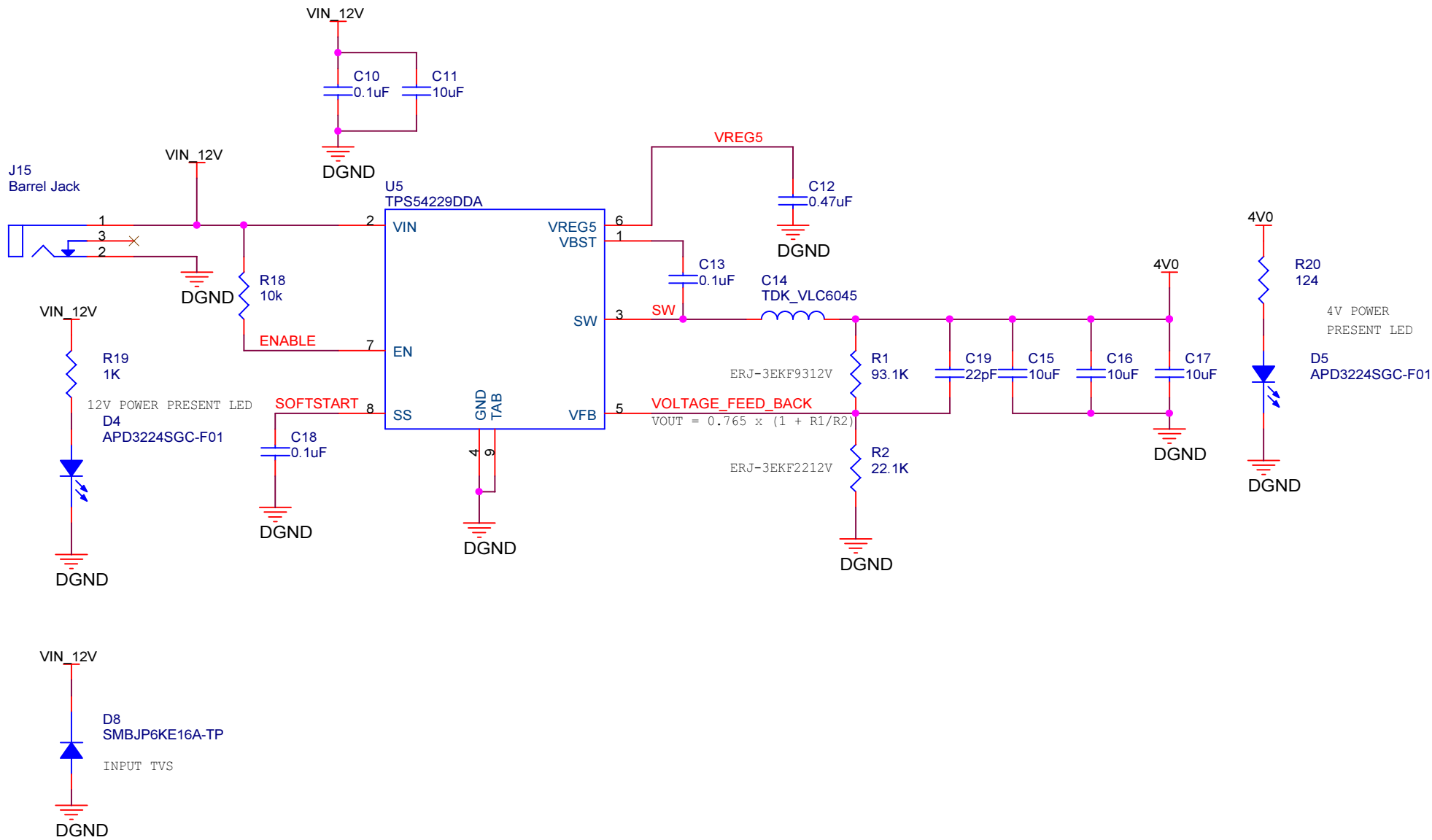
USE THIS HEADER AND PROVIDED 14PIN CABLE TO CONNECT TO ANY MCU OR CPU DEVELOPMENT KIT



Title		
Skywire Development Kit		
Size	Document Number	Rev
A	20002	E
Date:	Tuesday, March 22, 2016	Sheet 3 of 5



Title		
Skywire Development Kit		
Size	Document Number	Rev
A	20002	E
Date:	Tuesday, March 22, 2016	Sheet 4 of 5



Title		
Skywire Development Kit		
Size	Document Number	Rev
A	20002	E
Date:	Tuesday, March 22, 2016	Sheet 5 of 5