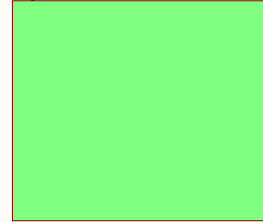


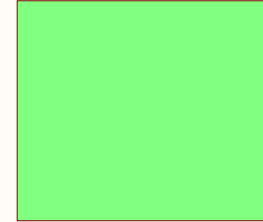
TABLE OF CONTENTS	
PAGE	DESCRIPTION
1	TITLE PAGE
2	CONNECTORS
3	SKYWIRE
4	POWER
5	ECO LIST

TITLE PAGE

TOP
Top.SchDoc



ECO
ECO LIST.SchDoc



© NimbeLink Corp. 2017. All rights reserved.

NimbeLink Corp. provides this documentation in support of its products for the internal use of its current and prospective customers. The publication of this document does not create any other right or license in any party to use any content contained in or referred to in this document and any modification or redistribution of this document is not permitted.

While efforts are made to ensure accuracy, typographical and other errors may exist in this document. NimbeLink reserves the right to modify or discontinue its products and to modify this and any other product documentation at any time.

All NimbeLink products are sold subject to its published Terms and Conditions, subject to any separate terms agreed with its customers. No warranty of any type is extended by publication of this documentation, including, but not limited to, implied warranties of merchantability, fitness for a particular purpose and non-infringement.

Skywire and NimbeLink are trademarks of NimbeLink Corp. All other trademarks appearing in the document are the property of their respective owners.

IMPORTANT NOTES ABOUT THIS SCHEMATIC

DESIGN NOTE: Example text for the design note to show the note inside the colored box.

1) DESIGN NOTES in grey are information notes.

DESIGN NOTE: Example text for the design note to show the note inside the colored box.

2) DESIGN NOTES in red are critical, and must be understood and followed.

✘ 3) A red X indicates suppression of error checking on a pin/net. Commonly suppressed errors include: single-pin net, no driving source, etc.

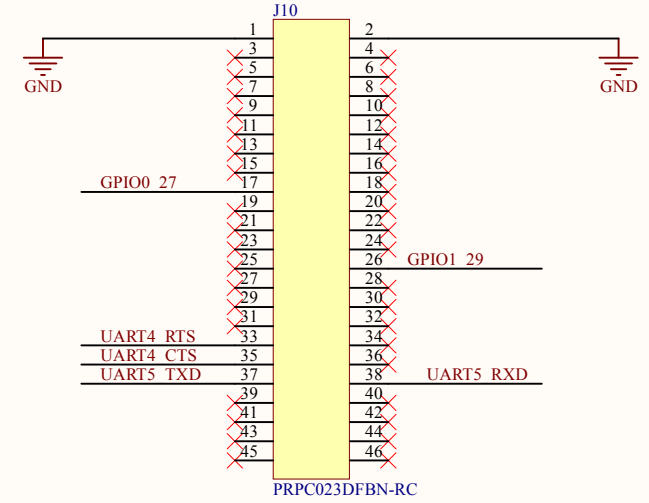
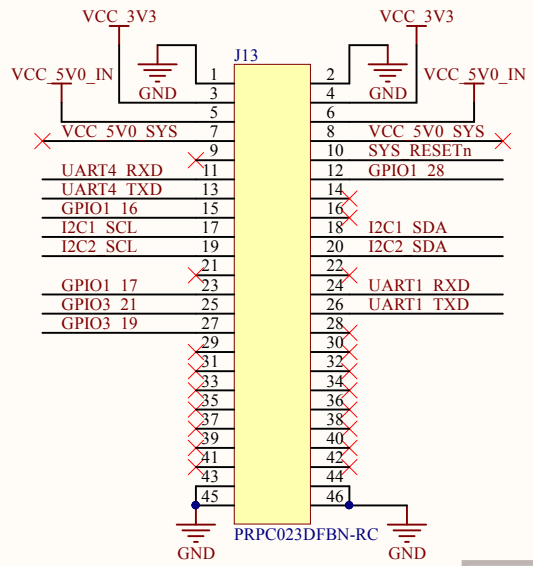
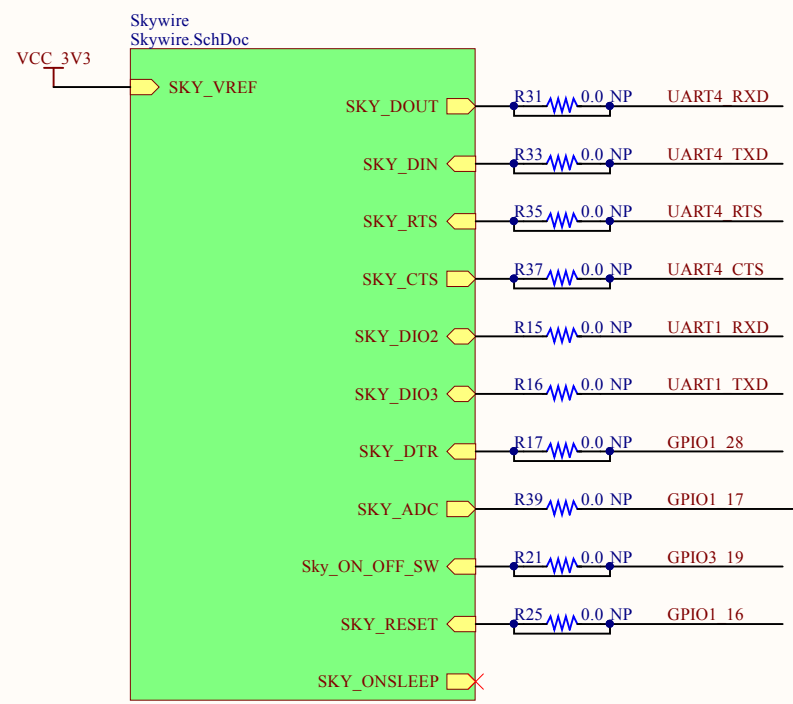
4) All unique components in this schematic should have a manufacturer's part number displayed; exceptions to this rule are commodity passives such as resistors and capacitors.

5) Finally, population vs. non-population intent is indicated by adding "NP" next to the part. All parts with "NP" next to the part are intended to be unplaced during assembly.

© NimbeLink Corp. 2017. All rights reserved.

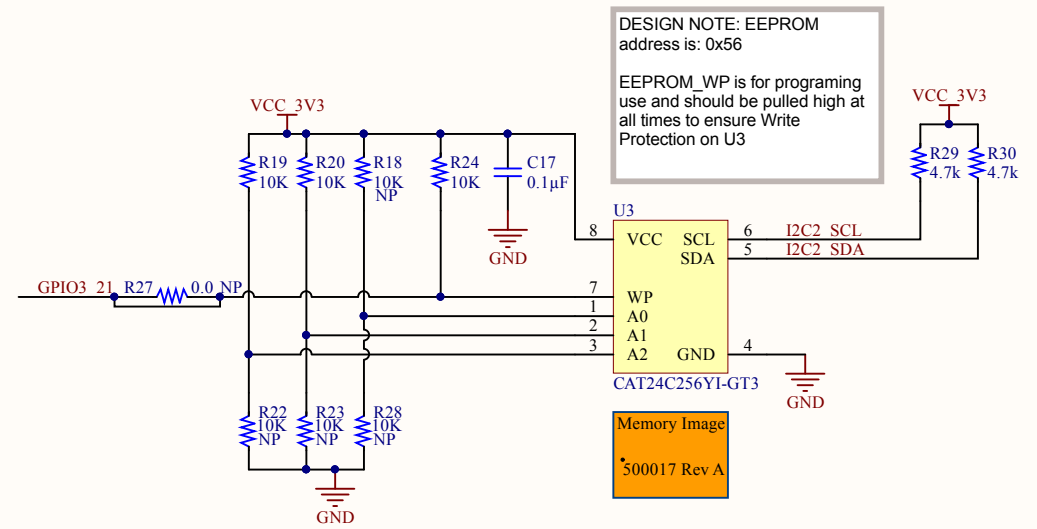
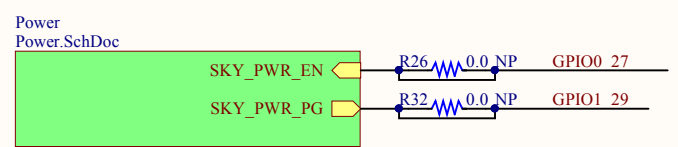
		www.nimbelink.com	
Title: TITLE		MINNEAPOLIS	
Project: Skywire Beaglebone Cape Lite	Size: B	Sheet 1	of 5
Number: 20057	Rev: B	Modified: 2/21/2017	1:25:45 PM
Prepared for: Nimbelink			

DESIGN NOTE: VCC_5V0_IN is the raw 5V input to the beaglebone PMIC from the beaglebones 5V barrel jack. The VCC_5V0_SYS is the 5V0 output from the Beaglebones PMIC.



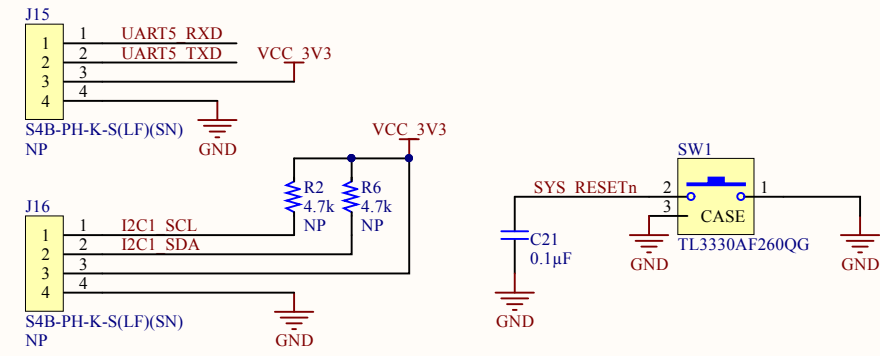
DESIGN NOTE: 0 ohm resistors R27, R26, R32, R31, R33, R35, R37, R17, R21, and R25 have a short through them to allow the 0 ohm resistors not to be placed. If users need to reroute a signal cut the trace inbetween the resistor pads, this will allow for the signal to be easily reconnected if needed.

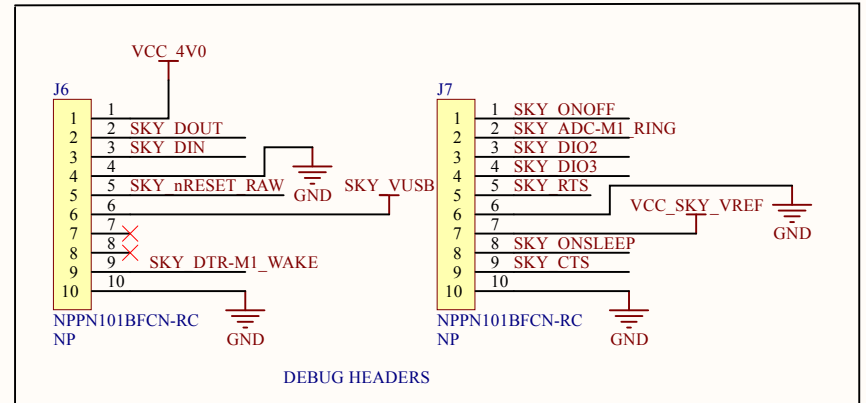
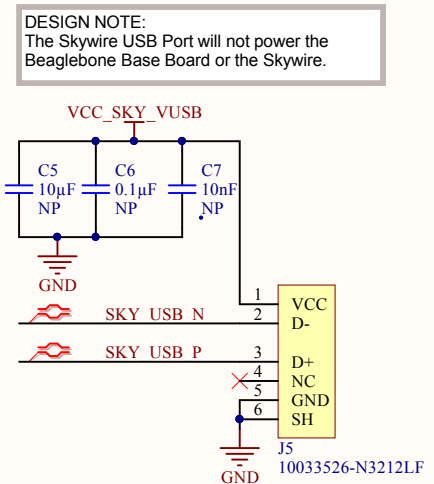
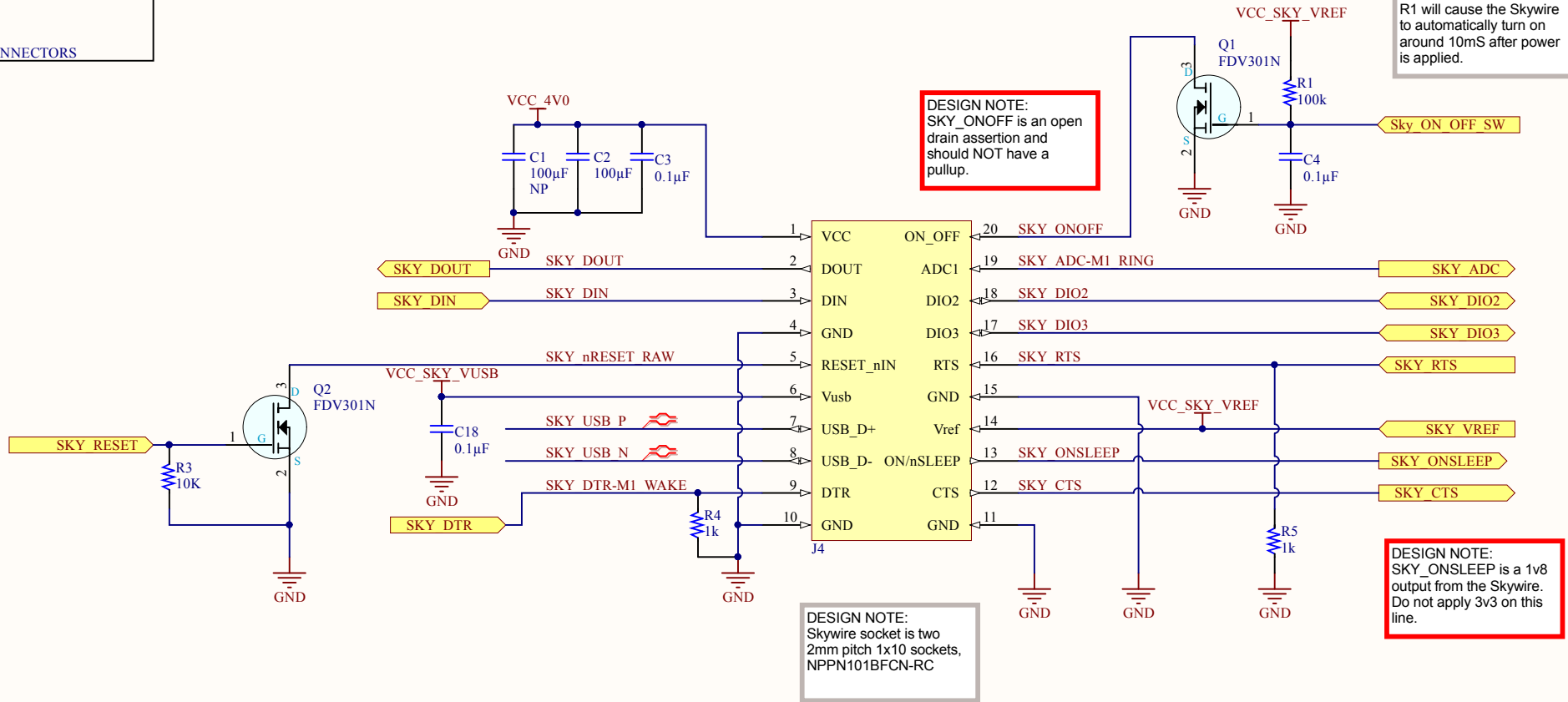
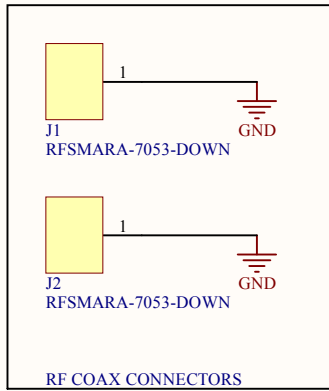
DESIGN NOTE: J10 is connected to the Beaglebone P8 connector.
J13 is connected to the Beaglebone P9 connector.



DESIGN NOTE: EEPROM address is: 0x56
EEPROM_WP is for programming use and should be pulled high at all times to ensure Write Protection on U3

PCB
20057 Rev B

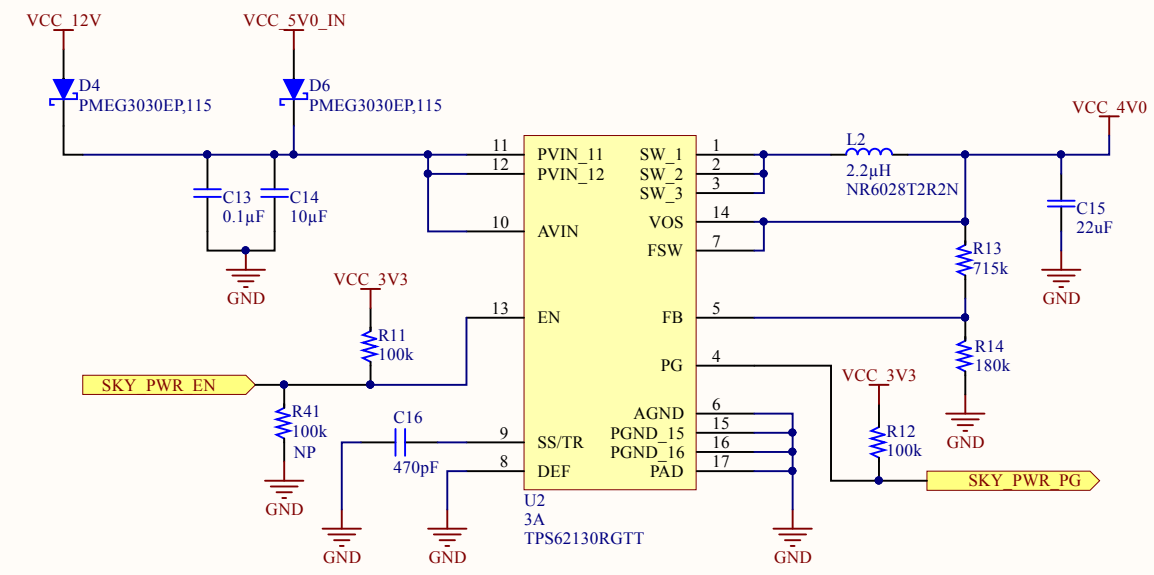
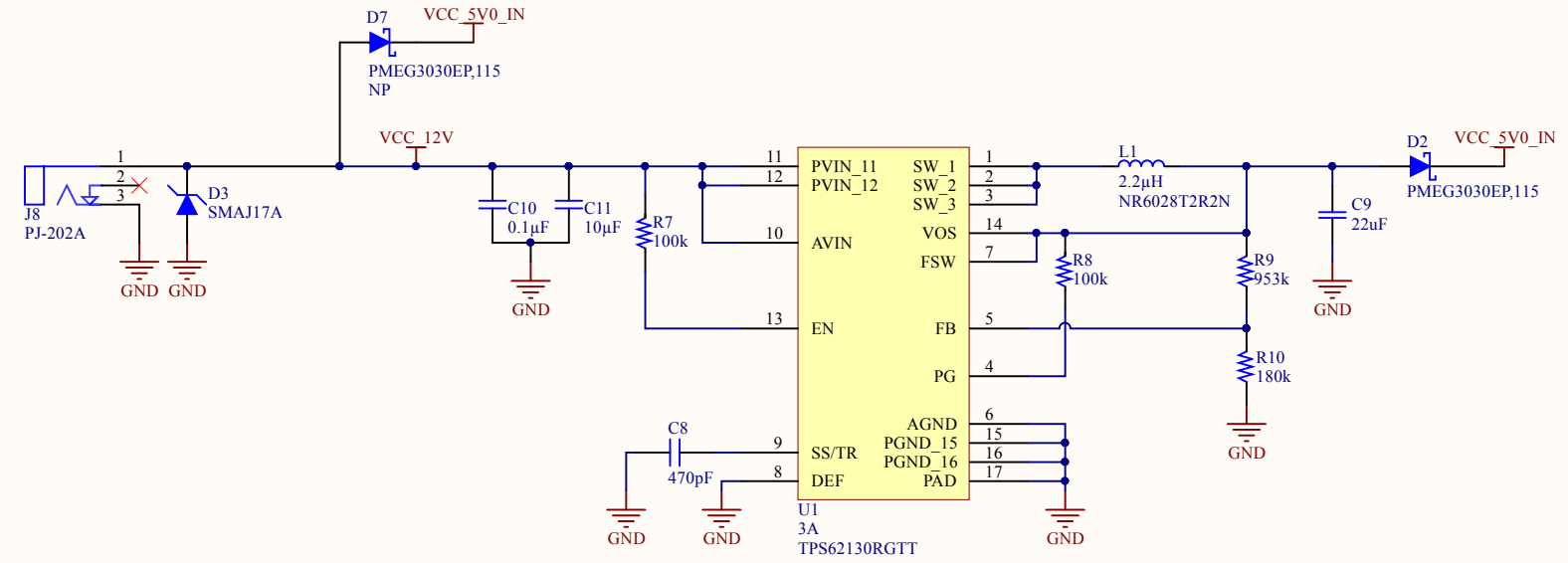




POWER

DESIGN NOTE: VIN input range on J8: 6V-15V

DESIGN NOTE: D7 footprint placed to allow no-pop of U1 for 5V system input. If D7 is populated do not use 12V input.



© NimbeLink Corp. 2017. All rights reserved.

NimbeLink		www.nimbelink.com	
MINNEAPOLIS			
Title: POWER			
Project: Skywire Beaglebone Cape Lite	Size: B	Sheet 4	of 5
Number: 20057	Rev: B	Modified: 2/21/2017	1:25:45 PM
Prepared for: Nimbelink			

